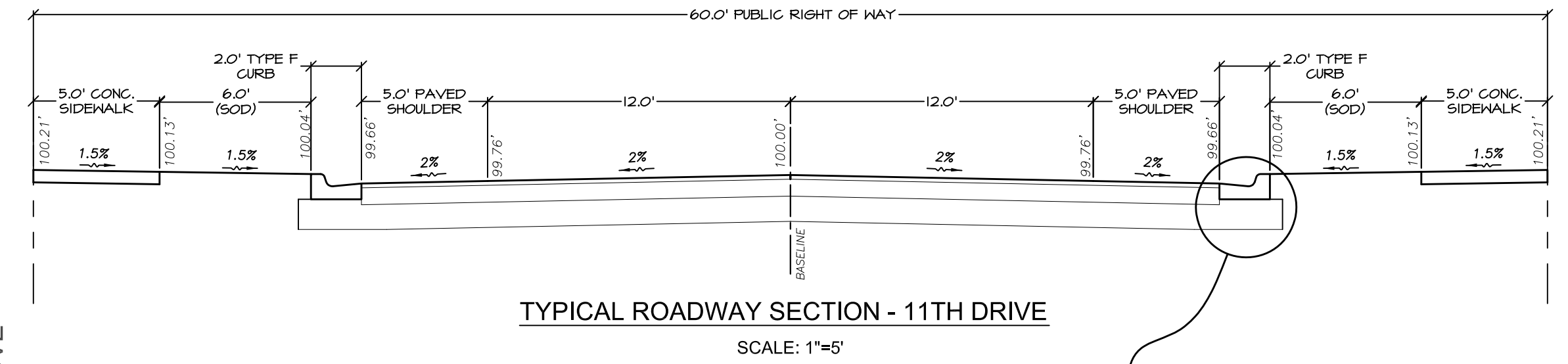
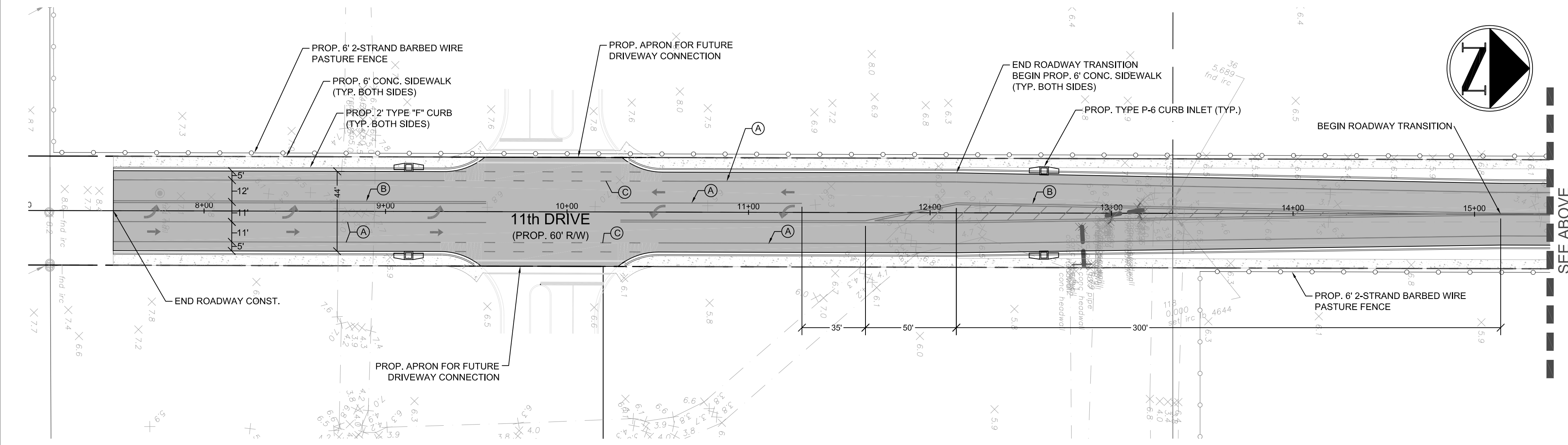


**STRIPING KEY**

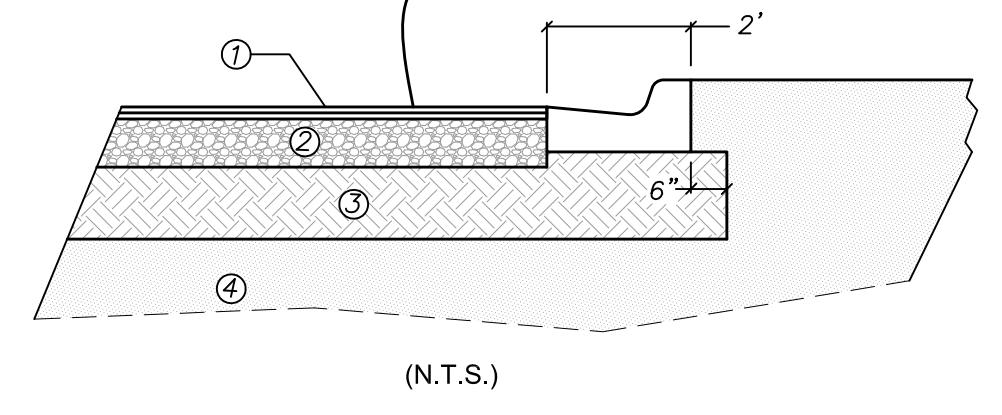
(A)	= 6" SOLID WHITE
(B)	= 6" DOUBLE SOLID YELLOW
(C)	= 6" SKIP WHITE
(D)	= 12" SOLID WHITE
(E)	= 24" SOLID WHITE

**HATCH KEY**

[Hatched Pattern]	- EXISTING PAVEMENT - MILL / OVERLAY / BUILDUP
[Solid Grey]	- NEW PAVEMENT
[Cross-hatched]	- CUT & REMOVE EXISTING PAVEMENT



- TYPICAL ROADWAY SPECIFICATIONS**
- ASPHALT COURSE: 1" FC 9.5 OVER 1.5" SP 12.5
  - BASE COURSE: 8-INCHES CEMENTED COQUINA ROCK OR LIMEROCK (LBR 100) AND COMPACTED TO 98 PERCENT OF ITS MODIFIED DRY PROCTOR VALUE (AASHTO T-180).
  - STABILIZED SUBGRADE: 12-INCHES CLAYED SOIL HAVING A LIMEROCK BEARING RATIO (LBR) OF 40 AND COMPACTED TO 98 PERCENT OF ITS MODIFIED DRY PROCTOR VALUE (AASHTO T-180).
  - ADDITIONAL FILL SHALL CONSIST OF CLEAN GRANULAR SAND CONTAINING LESS THAN 10% MATERIAL PASSING THE U.S. STANDARD NO. 200 MESH SIEVE AND PLACED IN LOOSE LAYERS OF 12 INCHES AND COMPACTED NO LESS THAN 95 PERCENT OF ITS MODIFIED DRY PROCTOR VALUE (AASHTO T-180).
  - CONCRETE SIDEWALK: 6" MIN. THICK FIBER REINFORCED W/ MIN. 6" THICK COMPACTED FOUNDATION - 95% DENSITY PER AASHTO T-180 EXTENDING AT LEAST 6" BEYOND THE SIDEWALK.



**NOTE:** THESE PLANS HAVE BEEN PRODUCED SOLELY FOR THE PURPOSE OF ESTABLISHING THE DEVELOPER'S AGREEMENT SHARED COST ANALYSIS. THESE PLANS ARE NOT INTENDED FOR CONSTRUCTION.

**11th DRIVE CONCEPTUAL HORIZONTAL ALIGNMENT**

NO.	DATE	DESCRIPTION	DR/APP
<b>REVISIONS</b>			
3	1/24/20	REMOVED 41st STREET TURN LANES FROM PLAN SET	SG/SEM
2	12/04/19	REV. SPECS PER COUNTY COMMENT DATED 12/02/19	SG/SEM
1	11/15/19	REV. 11TH DRIVE TYP. SECTION	SG/SEM

**M M MASTELLER & MOLER, INC.**  
**CONSULTING ENGINEERS**  
 CERTIFICATE OF AUTHORIZATION NUMBER 4204  
 1655 27th STREET, SUITE 2, VERO BEACH, FLORIDA 32960  
 (772) 567-5300 / FAX (772) 794-1106

**ROADWAY CONSTRUCTION PLANS**  
**11th DRIVE**  
**VIRGINIA W RUSSEL FMLY LTD PTNR**  
 INDIAN RIVER FLORIDA

Title to all documents which bear the copyright of Masteller & Moler, Inc. is vested solely in Masteller & Moler, Inc. These documents are provided to the owner solely in connection with this project. Any other use or reuse of these documents or any reproduction, display, sale or other disposition of these documents by anyone is expressly prohibited without consent of Masteller & Moler, Inc. pursuant to the Federal Copyright Law.  
 © 2019, MASTELLER & MOLER, INC.

DRAWN	SG
DESIGNED	SEM
CHECKED	SEM
DATE	10/30/19
SCALE	AS SHOWN
SHEET	1 OF 1
PROJECT NO.	1931

STEPHEN E. MOLER, P.E. FL #33193